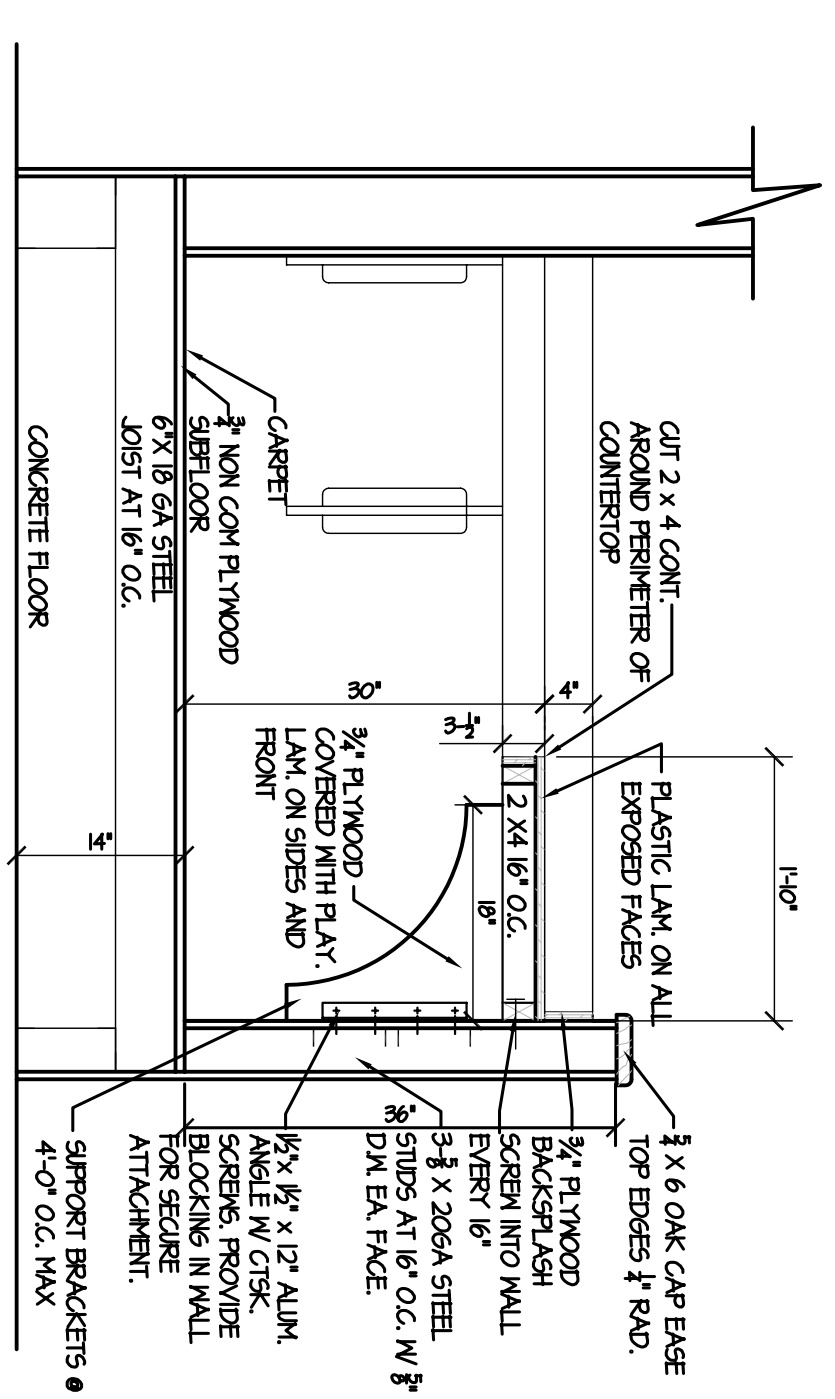
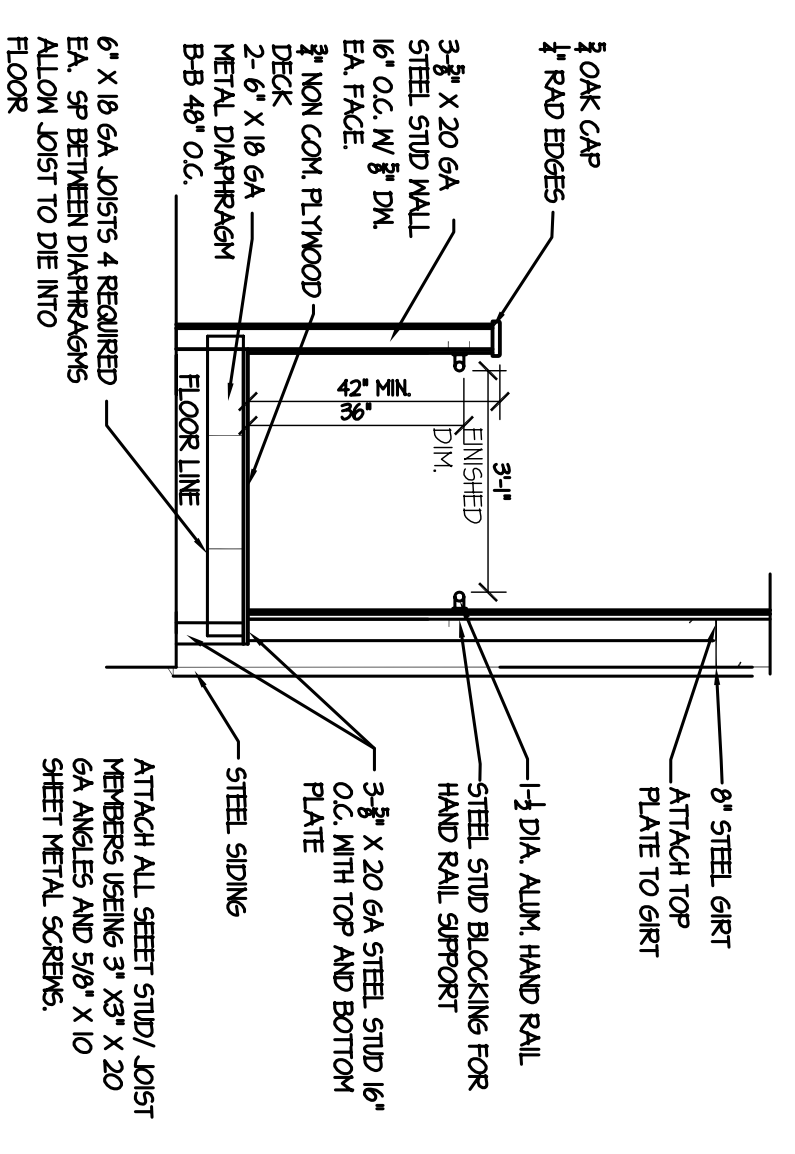


KEY NOTES

- 1 EXPOSED PORTIONS OF FIRE WALL TO BE COVERED WITH METAL SIDING TO MATCH SIDING ON THE NEW BUILDING. SIDING TO BE INSTALLED OVER HORIZONTALLY APPLIED 1/4" CHANNEL (24" O.C.) APPLY ALL NECESSARY CORNER TRIM, BASE RAIL GARD AND TOP FLASH. CALL AS NECESSARY LEAVE COVERED AREA NUMBER 1581.
- 2 FOR FLOOR DRAIN LOCATIONS SEE SHEET P-1. CONTRACTOR TO SLOPE FLOORS TOWARDS EACH FLOOR DRAIN MIN. GRADE 1/8" PER FOOT. TYPICAL FOR RESTROOMS, AND MECHANICAL SPACES.
- 3 PAINT STRUCTURAL STEEL, SAND AND SPOT PRIME IF SHOP COAT HAS BEEN COMPROMISED THEN PAINT. COLOR SELECTION BY OWNER. USE PAINT RECOMMENDED FOR METAL BUILDING COMPONENTS SPRAY APPLICATION PREFERRED. TYPICAL CONDITION FOR ALL STRUCTURAL STEEL LOCATIONS.



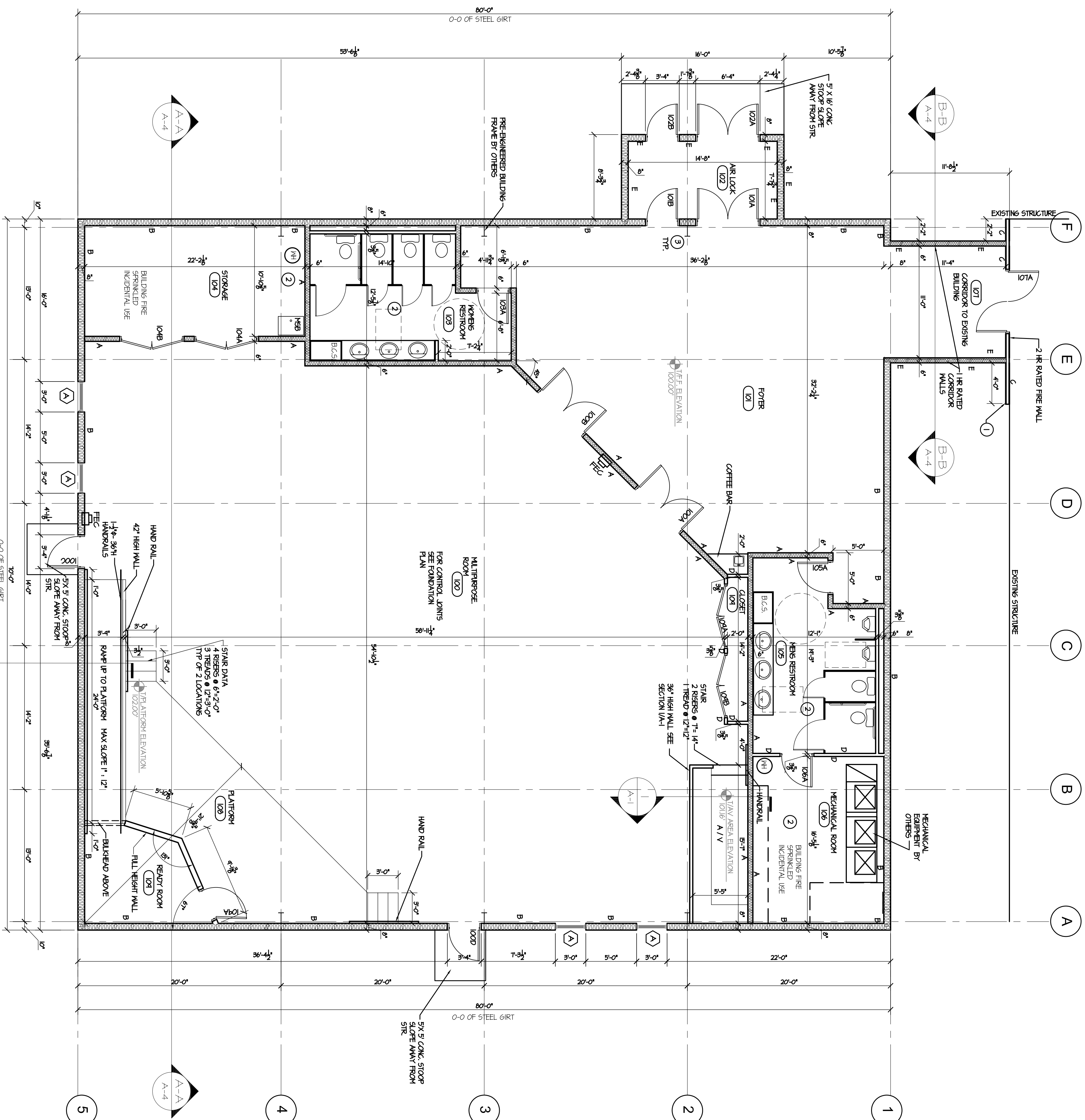
1 A / V SECTION
SCALE: 3/4" = 1'-0"



2 H.C. RAMP SECTION
SCALE: 3/8" = 1'-0"

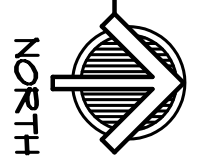
WALL LEGEND

- WALL A** 6" STEEL STUDS 20 GA. AT 16" O.C. WITH 1/2" TYPE X DRYWALL ON EACH FACE. FILL CAVITY WITH 6" FIBERGLASS SAND BATT. TAPE AND FLOAT WALLS AND PRIME AND PAINT.
- WALL B** 2 HOUR EXTERIOR WALL. FIRE ENGINEERED STEEL BUILDING WITH 6" INSULATION SYSTEM. EXTERIOR TO RECEIVE VERTICAL METAL FINISH. INTERIOR TO HAVE 1/2" TYPE X DRYWALL TO 8'-0" ATTACHED TO STEEL FINISH. TYPE X DRYWALL TAPE AND FLOAT ALL JOINTS AND ROUGH AND PAINT.
- WALL C** 2 HOUR FIRE WALL ONE LAYER 1/2" PROPRIETARY TYPE X GYPSUM PANELS INSERTED BETWEEN 2-1/2" FLOOR AND CEILING RIMMERS WITH 1/2" FLANGE SECTION OF 2-1/2" STEEL STUDS BETWEEN PANELS. OPPOSITE SIDE BASE LAYER 1/2" PROPRIETARY TYPE X GYPSUM WALL BOARD PARTIALLY AT RIGHT ANGLES TO THE OTHER SIDE. TYPE X DRYWALL TO 8'-0" ATTACHED TO STEEL FINISH. TYPE X DRYWALL TAPE AND FLOAT ALL JOINTS AND ROUGH AND PAINT.
- WALL D** 3/4" X 20 GA. STEEL STUDS AT 16" O.C. WITH TOP AND BOTTOM TRACK. EACH FACE TO HAVE 1/2" TYPE X DRYWALL TAPE AND FLOATED. PRIME AND PAINT.
- WALL E** 1 HOUR RATED WALL. 6" X 20 GA. STEEL STUDS AT 16" O.C. WITH TOP AND BOTTOM TRACK. INSIDE FACE TO HAVE 1/2" TYPE X DRYWALL TAPE AND FLOATED. PRIME AND PAINT. OUTSIDE TO HAVE 1/2" DRIBBLAGE EXTERIOR GYP THEN 1/2" HAT CHANNEL. 24" O.C. HORIZONTALLY THEN METAL. WALL CAVITY TO RECEIVE 6" SINGLE SAVER INSULATION SYSTEM. IL NUMBER 1423.



FLOOR PLAN

SCALE: 3/16" = 1'-0"



NORTH

Crumlish and Crumlish
Architects Incorporated
3215-B Sugar Maple Court
South Bend, Indiana 46628

Brandon Daniel Crumlish
Nebraska
Reg. Architect A-4121

New Worship Facility
Ridgeview Bible Church

919 E. 10th Street
Chadron, Nebraska 69837

Issued For

Do Not Scale Drawings
Use as Printed
Dimensions
© 2011 Crumlish and Crumlish
Architects Incorporated
All Rights Reserved

File #11-367
JUNE 15, 2011

FLOOR PLAN

A-1